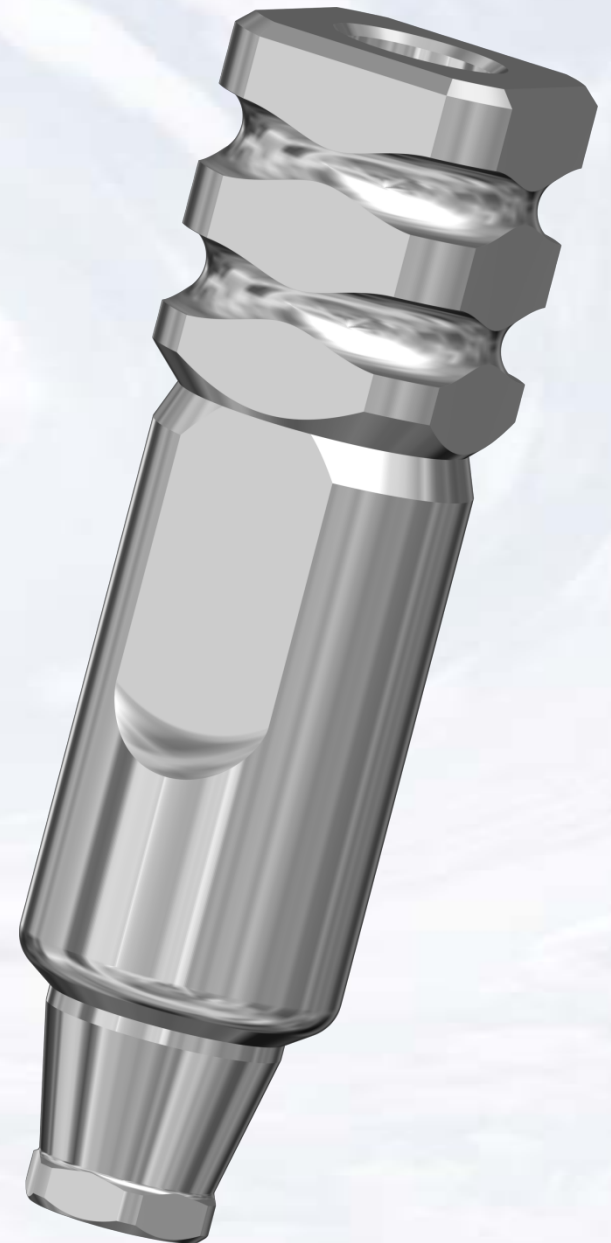
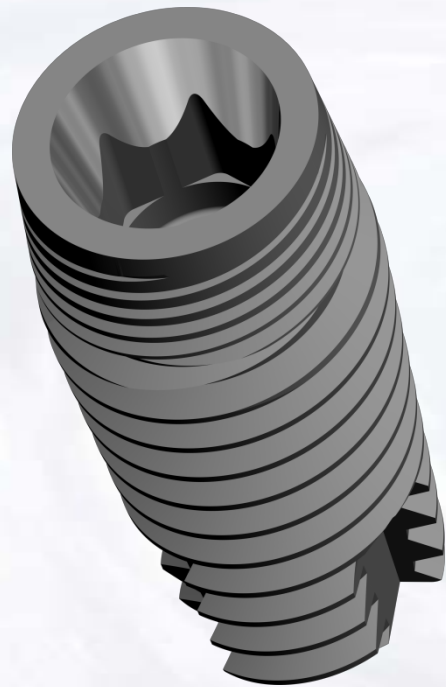


BIO|Max MPA Custom Abutment



Blue Sky Bio

BIO|Max MPA Custom Abutment



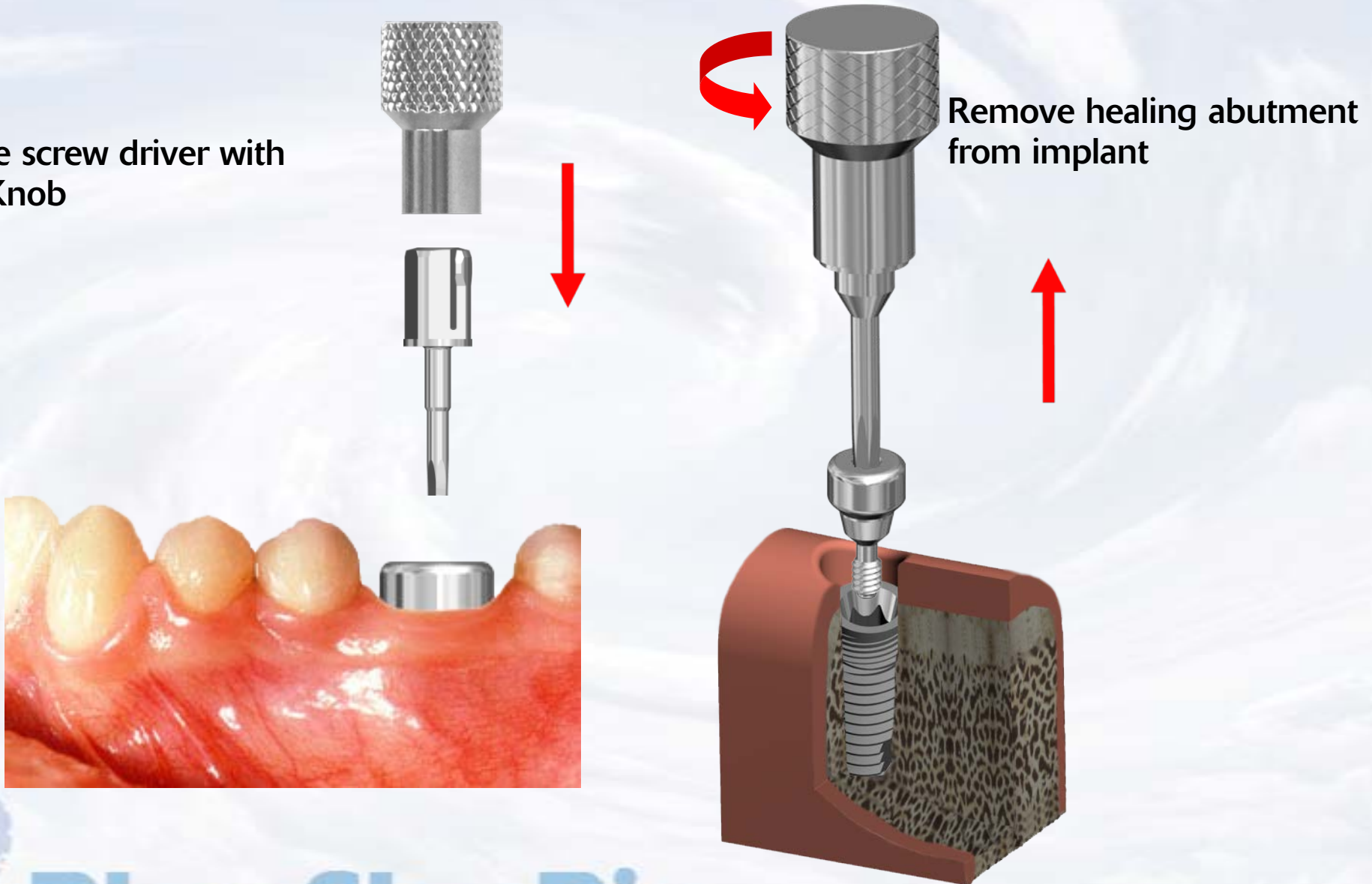
The MPA Abutment functions as both the implant level impression coping and the final abutment



Blue Sky Bio

BIO|Max MPA Custom Abutment

Assemble screw driver with
Thumb Knob



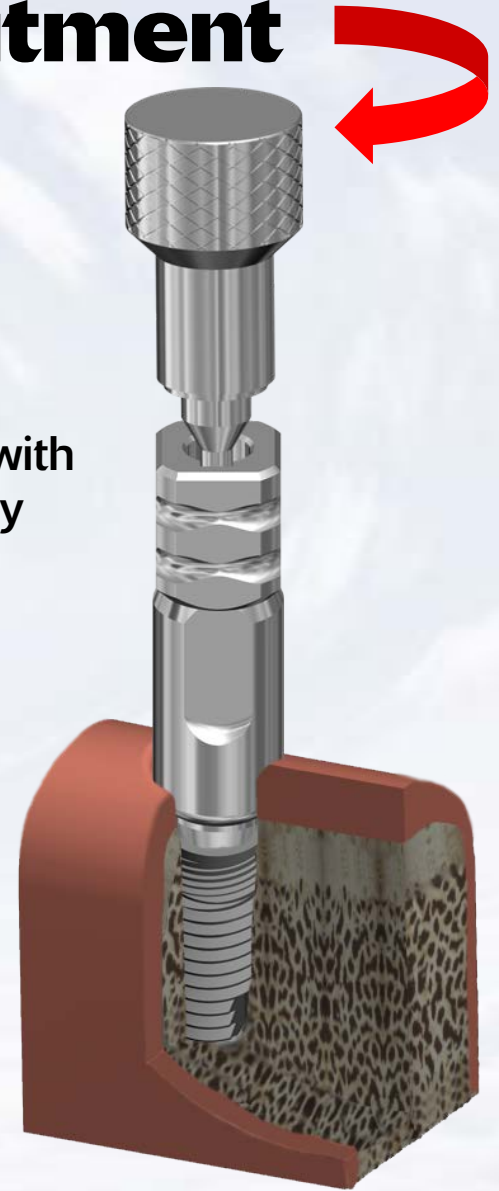
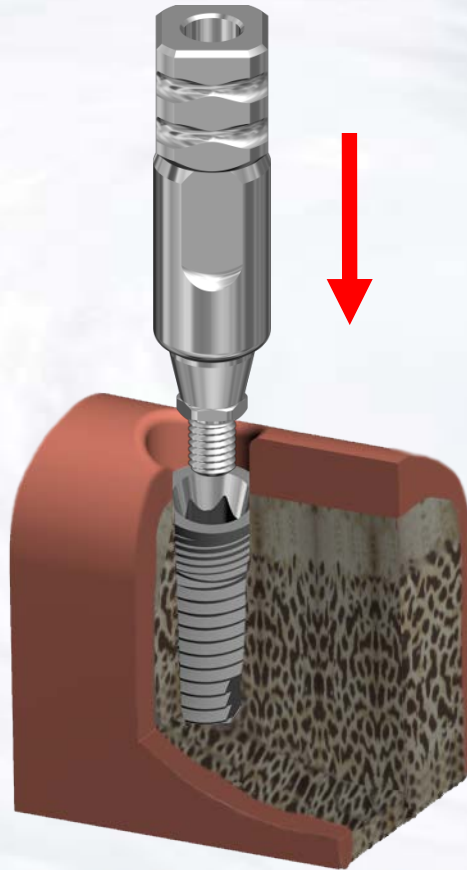
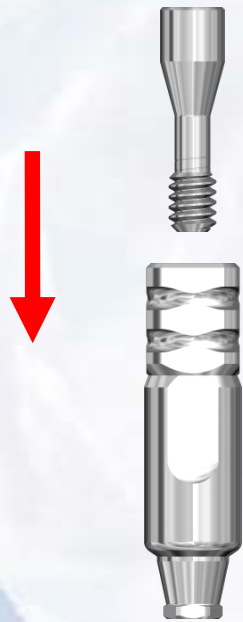
Blue Sky Bio

BIO|Max MPA Custom Abutment

Insert the MPA abutment into the implant ensuring the appropriate orientation

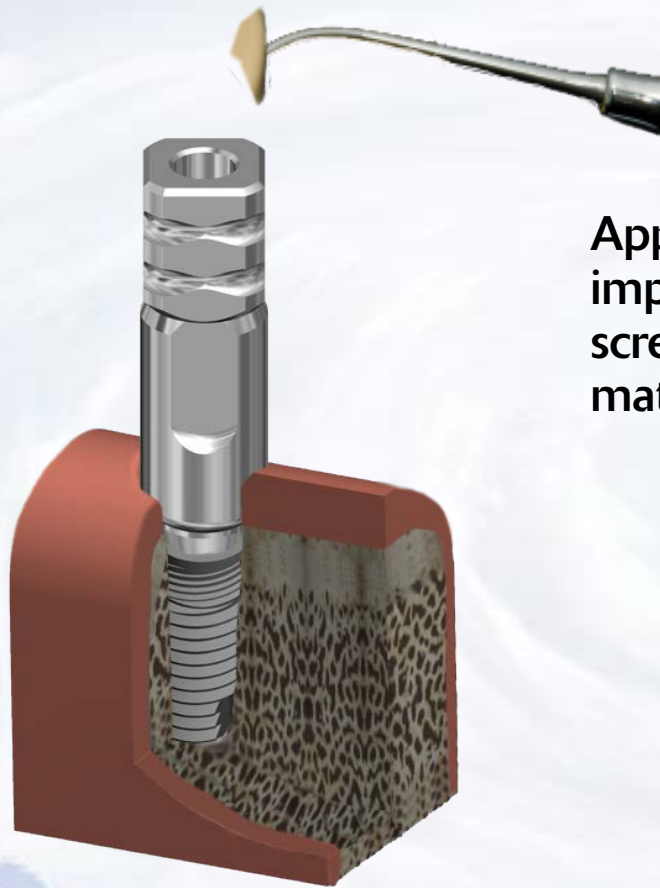
Insert screw into MPA abutment

Tighten screw with finger force only

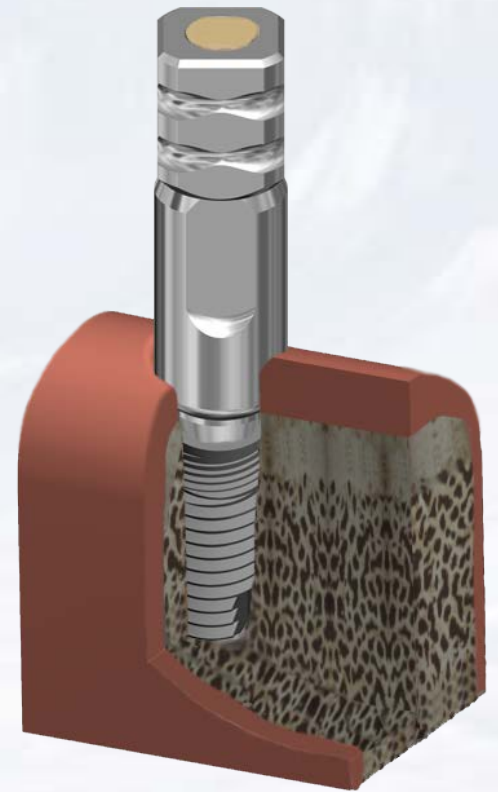


Blue Sky Bio

BIO|Max MPA Custom Abutment

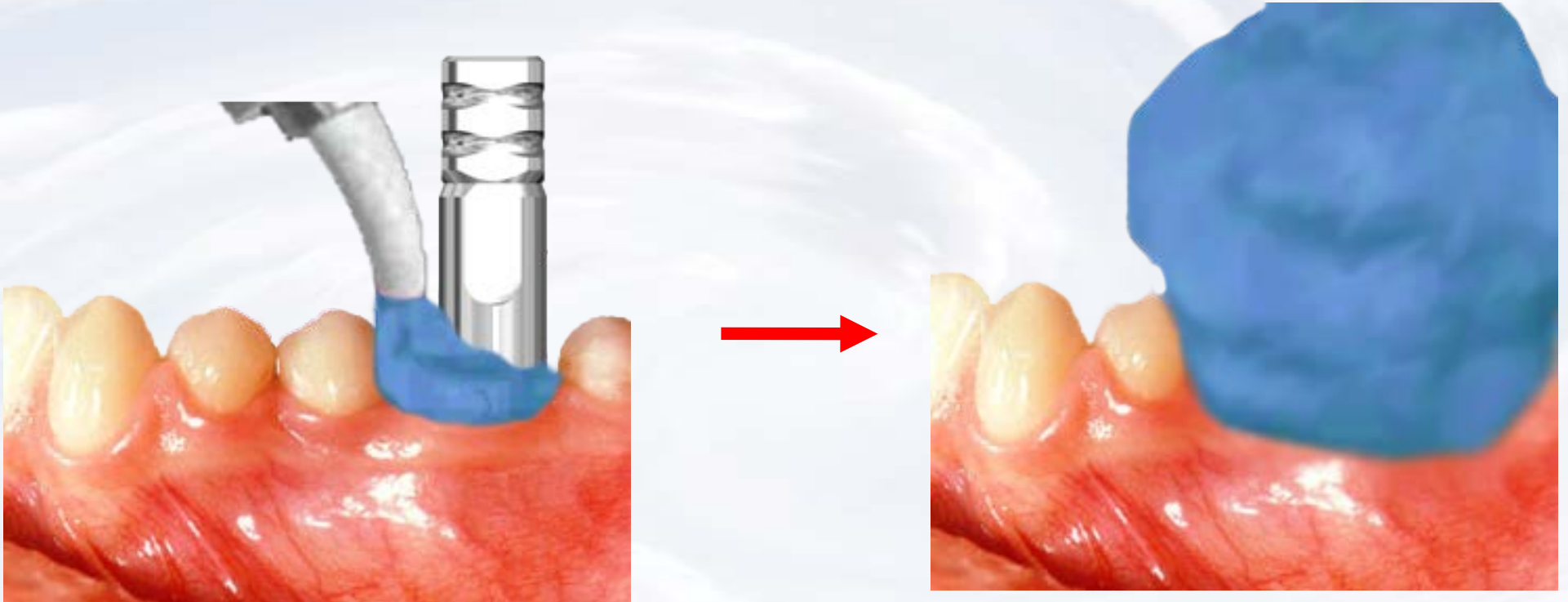


Apply wax to the top of the impression transfer to seal screw access to keep impression material out of the access hole



Blue Sky Bio

BIO|Max MPA Custom Abutment

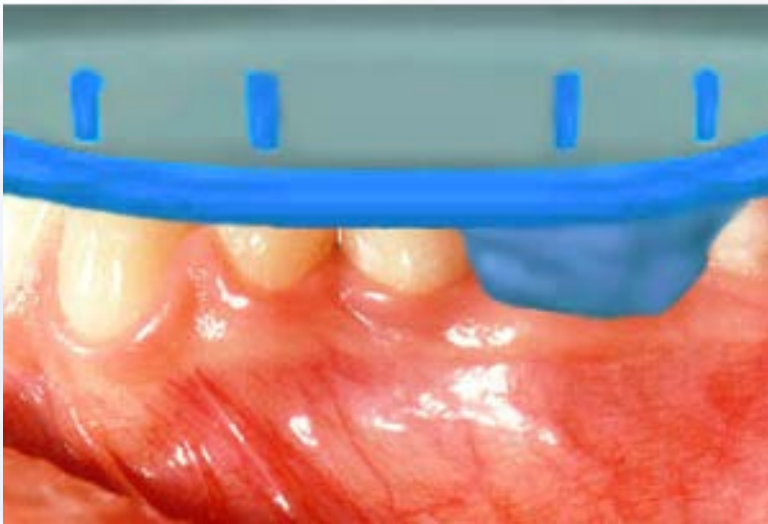


Inject impression material around the abutment

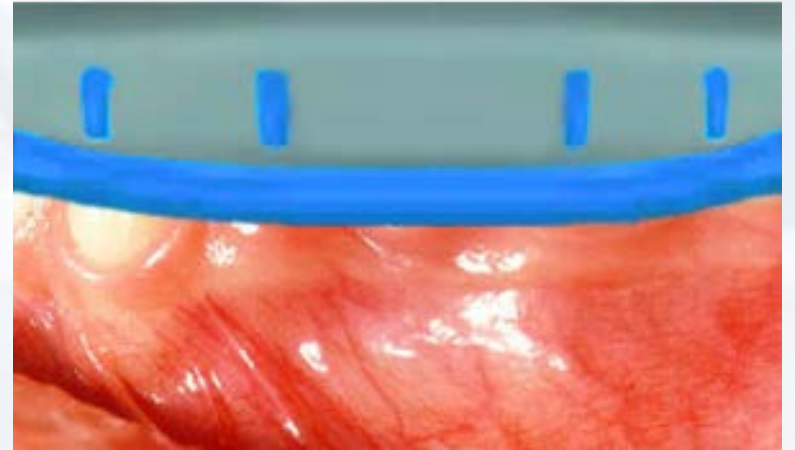


Blue Sky Bio

BIO|Max MPA Custom Abutment



Insert tray with impression material

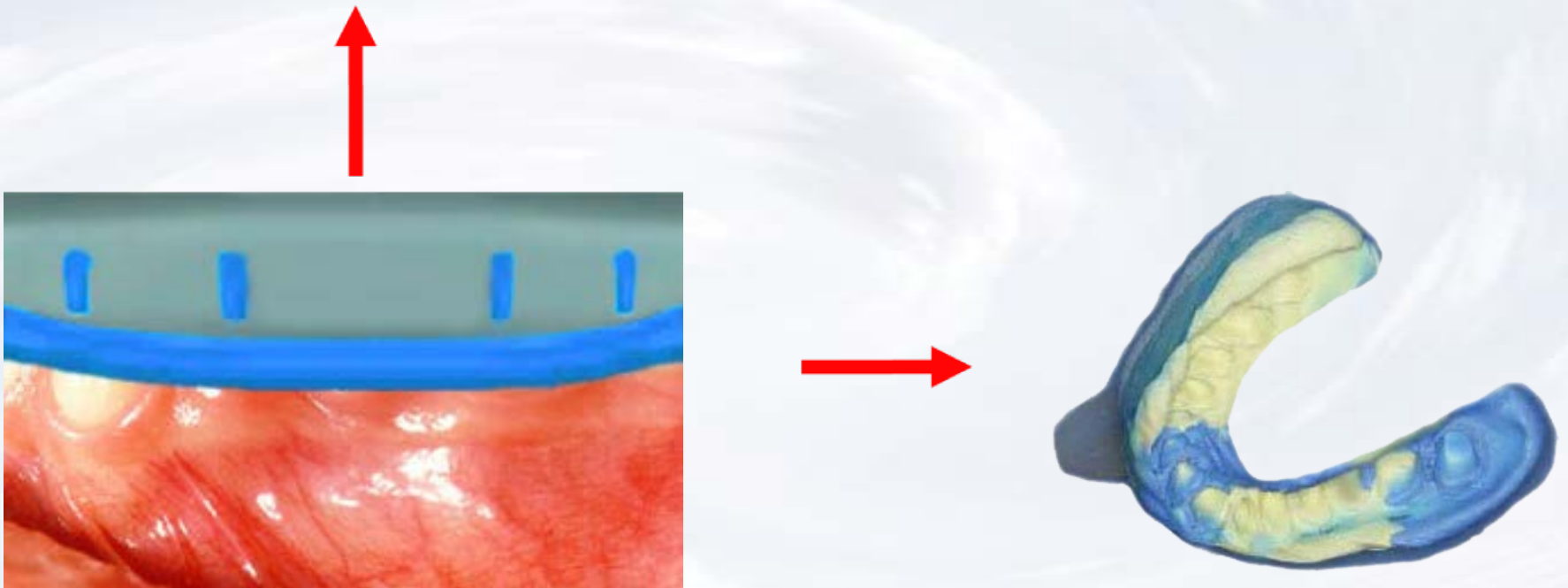


Seat impression to capture dental arch



Blue Sky Bio

BIO|Max MPA Custom Abutment

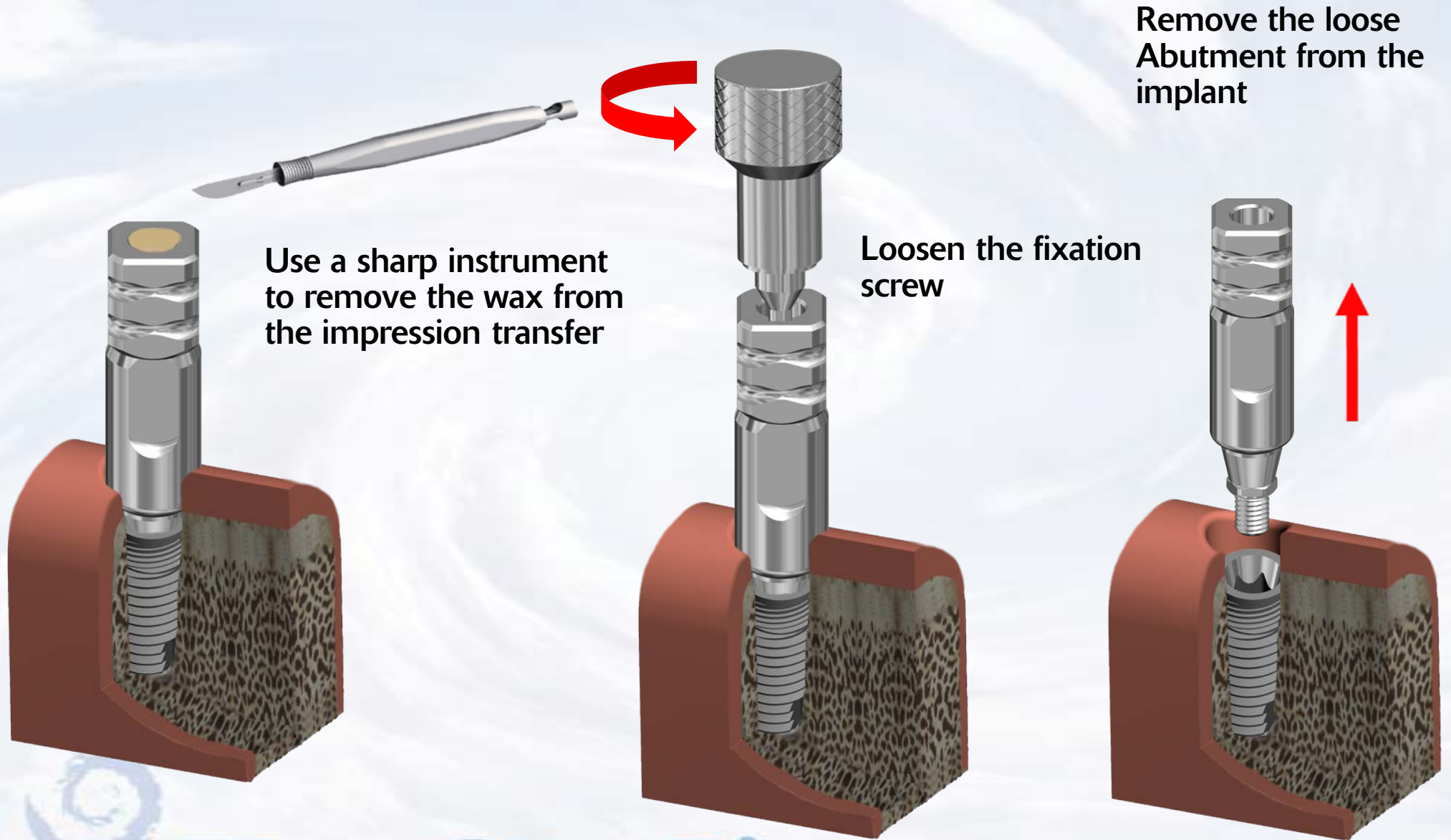


Remove the impression from the mouth when material has set



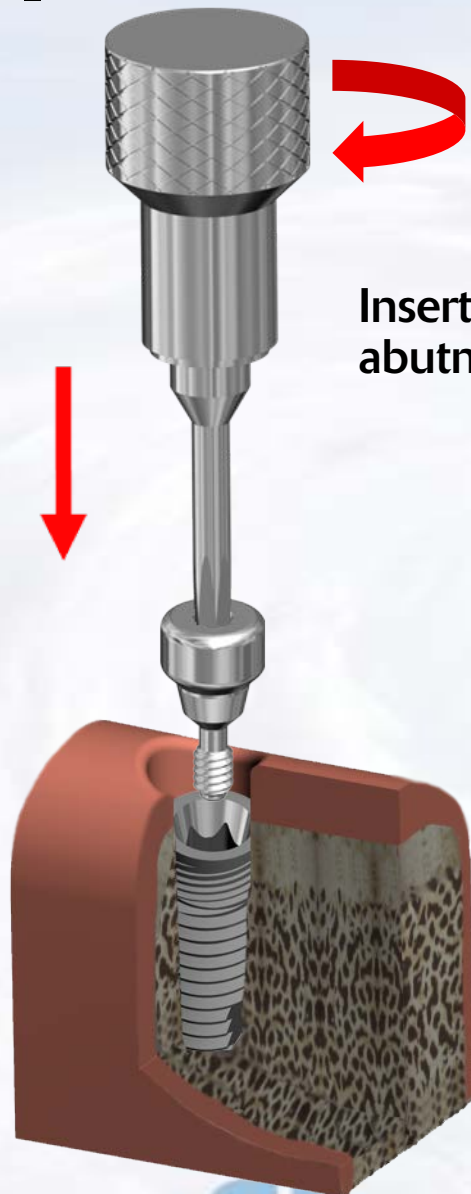
Blue Sky Bio

BIO|Max MPA Custom Abutment



Blue Sky Bio

BIO|Max MPA Custom Abutment



Insert healing
abutment into implant

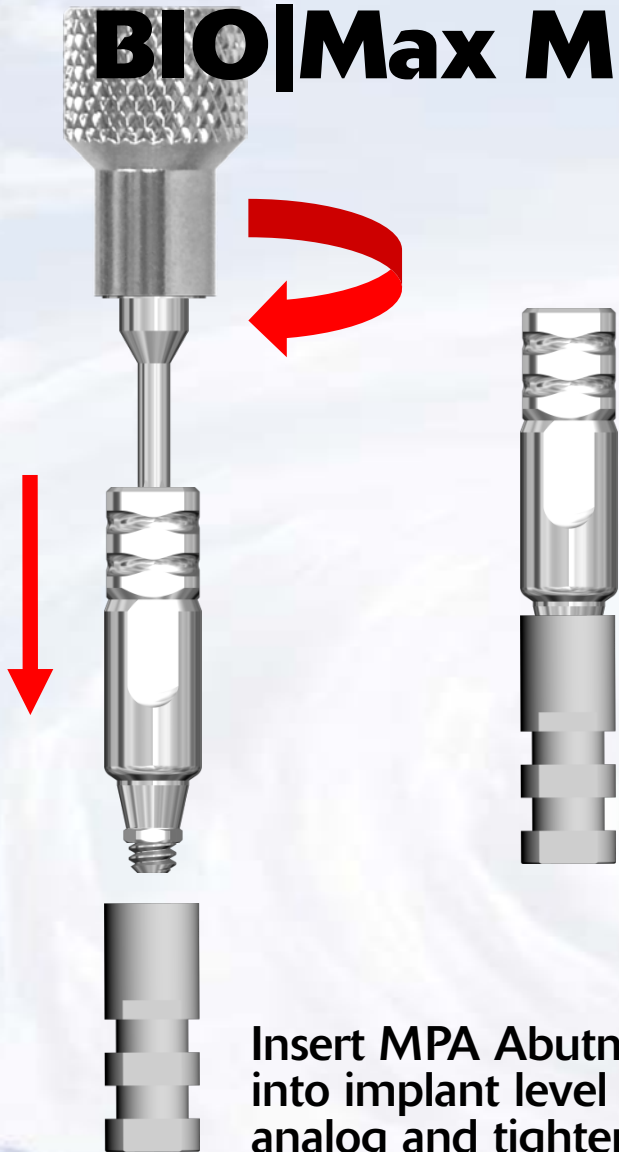


Healing abutment in place



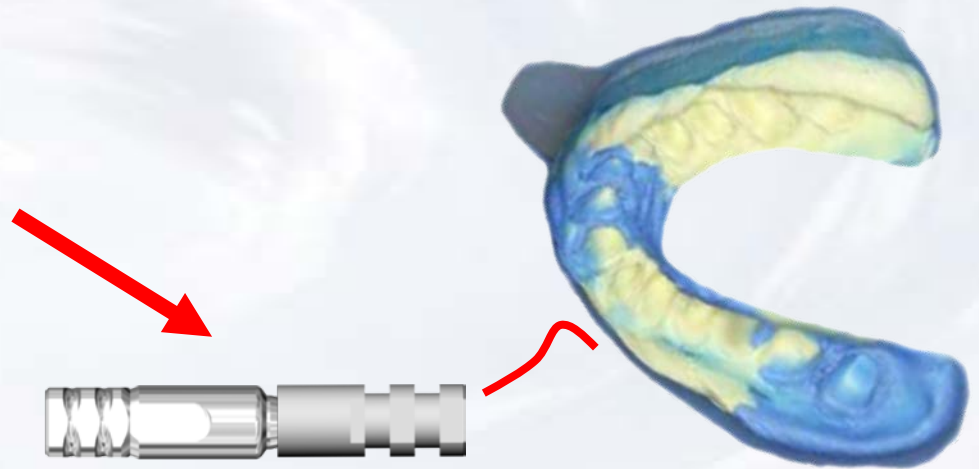
Blue Sky Bio

BIO|Max MPA Custom Abutment



Insert MPA Abutment into implant level analog and tighten fixation screw with finger pressure

Assembled MPA Abutment with implant level analog



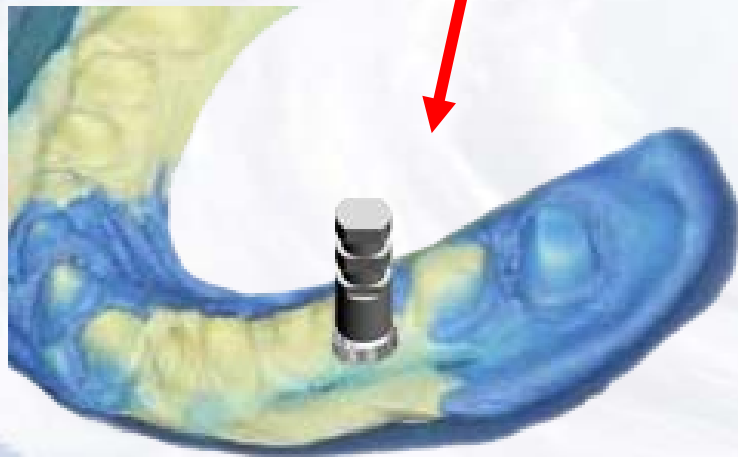
Insert MPA Abutment/analog assembly into impression.



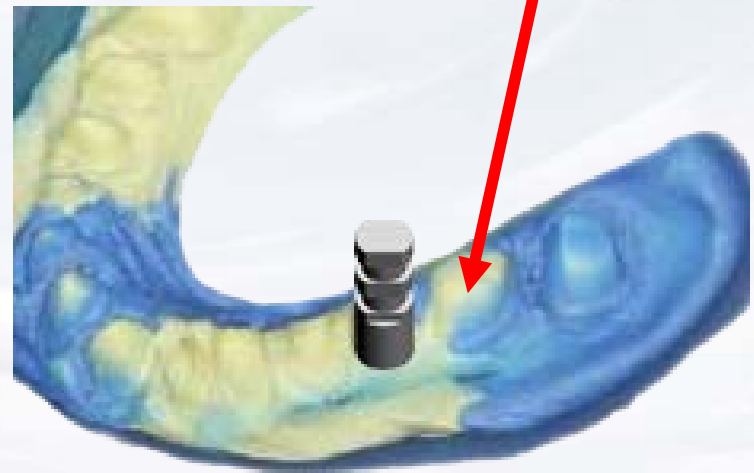
Blue Sky Bio

BIO|Max MPA Custom Abutment

Align the flats of MPA Abutment with the flats within the impression and insert the abutment/analog assembly into the impression



MPA Abutment/analog assembly completely seated inside impression



Blue Sky Bio

BIO|Max MPA Custom Abutment

Apply soft tissue replica material around implant level analog



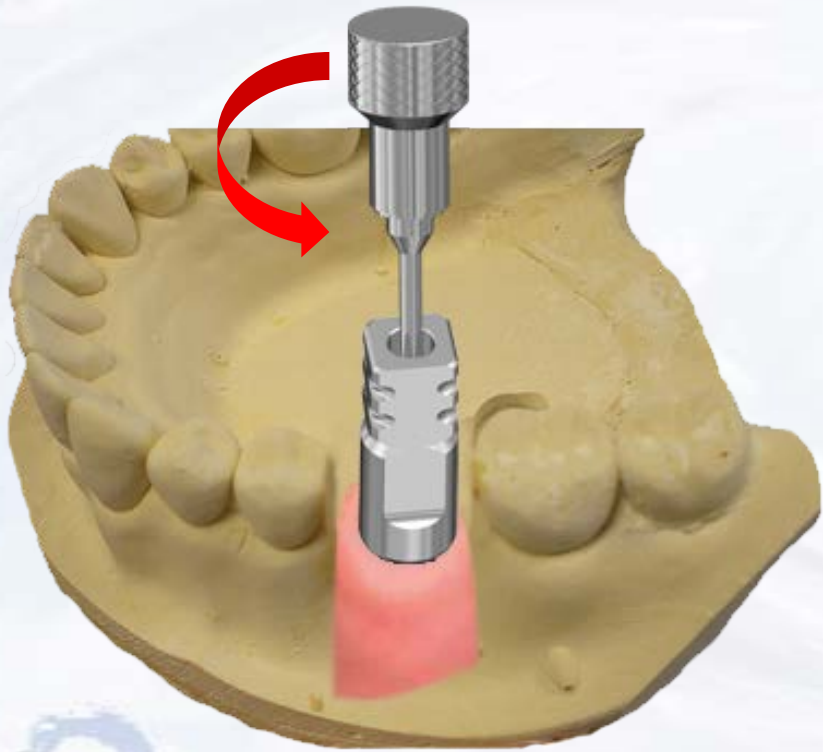
Pour dental stone into impression



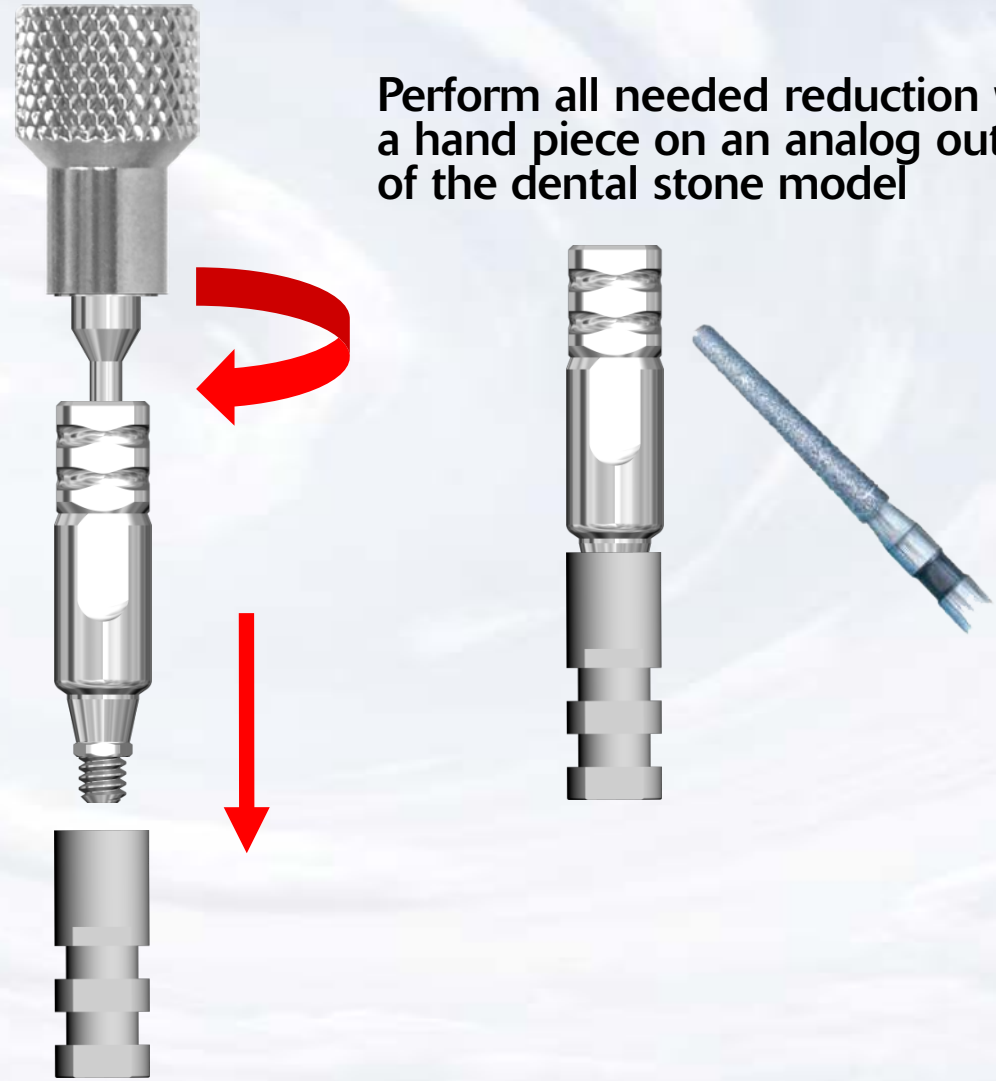
Blue Sky Bio

BIO|Max MPA Custom Abutment

Remove master cast from impression and after marking the areas for reduction on the abutment, remove it from the stone model



Perform all needed reduction with a hand piece on an analog outside of the dental stone model



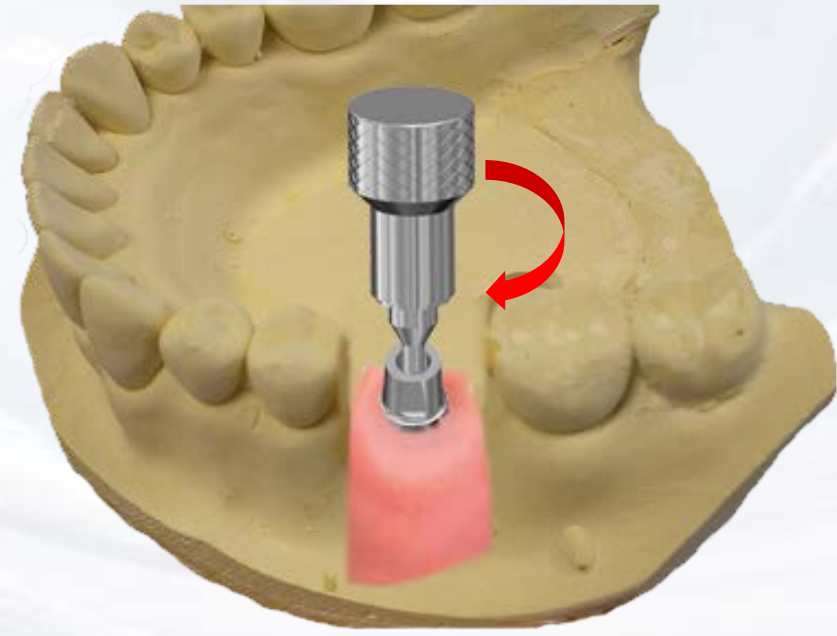
Blue Sky Bio

BIO|Max MPA Custom Abutment

Remove the adjusted Abutment from the analog



Insert the customized abutment into the model



Blue Sky Bio

BIO|Max MPA Custom Abutment

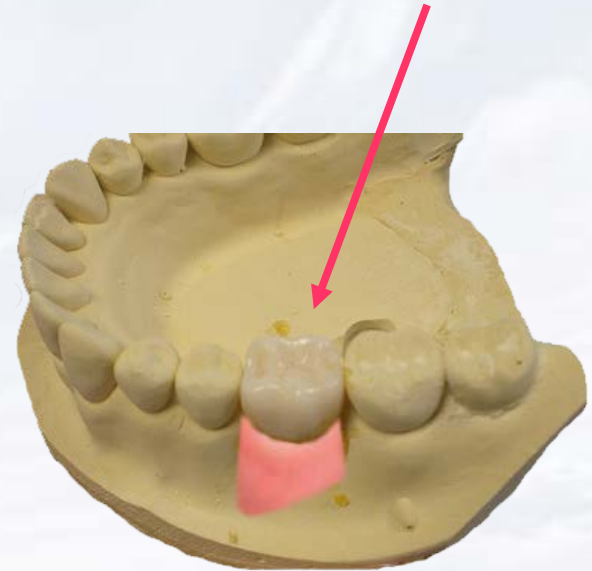
Add die spacer on the abutment and wax up the undercasting directly on the abutment



Cast wax up in usual manner and try in the casting on the abutment



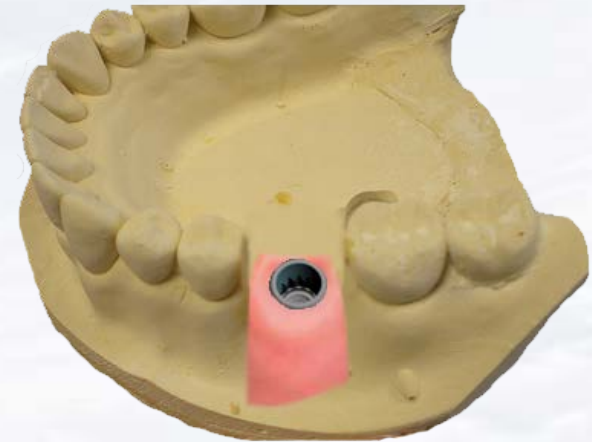
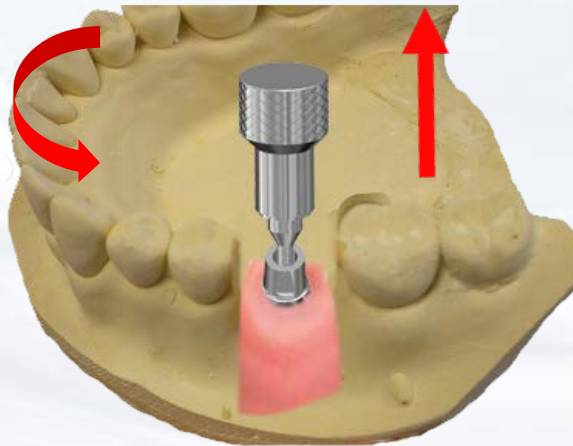
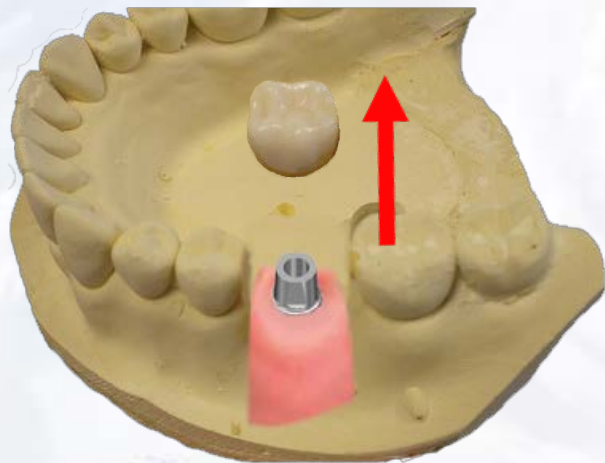
Stack and fire the ceramic in the usual manner and finish the restoration



Blue Sky Bio

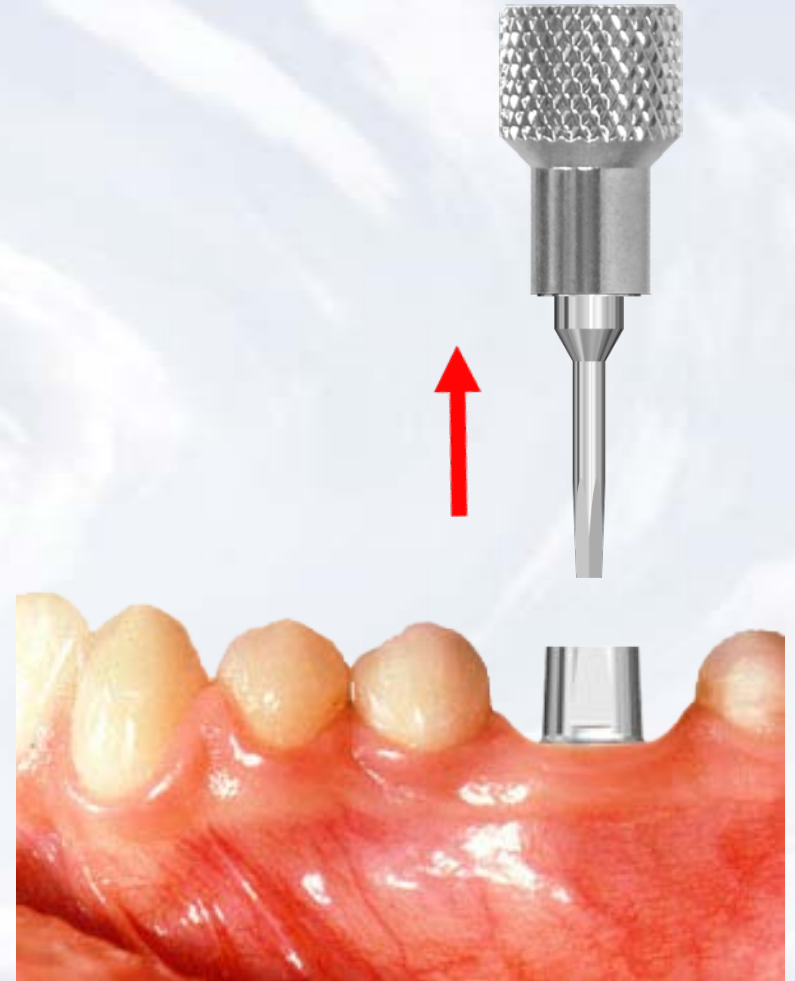
BIO|Max MPA Custom Abutment

Remove crown and abutment from model



Blue Sky Bio

BIO|Max MPA Custom Abutment



Remove healing abutment and insert final abutment into implant orienting it according to the instructions from the laboratory



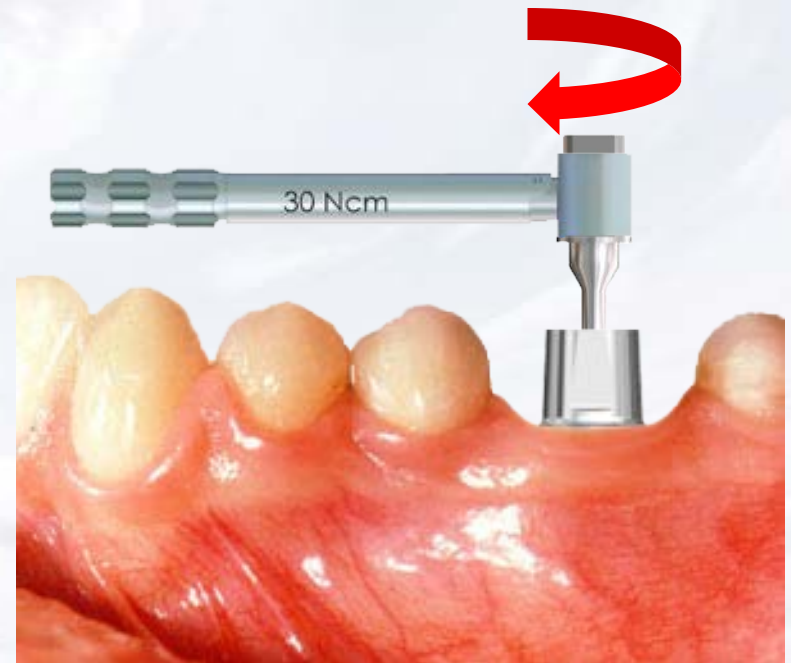
Blue Sky Bio

BIO|Max MPA Custom Abutment

Insert the hex driver within the 30Ncm torque ratchet



Insert driver into the abutment screw and turn torque ratchet clockwise until torque of 30 Ncm is reached and the head of the ratchet releases



Blue Sky Bio

BIO|Max MPA Custom Abutment



Cement restoration on abutment



Blue Sky Bio